



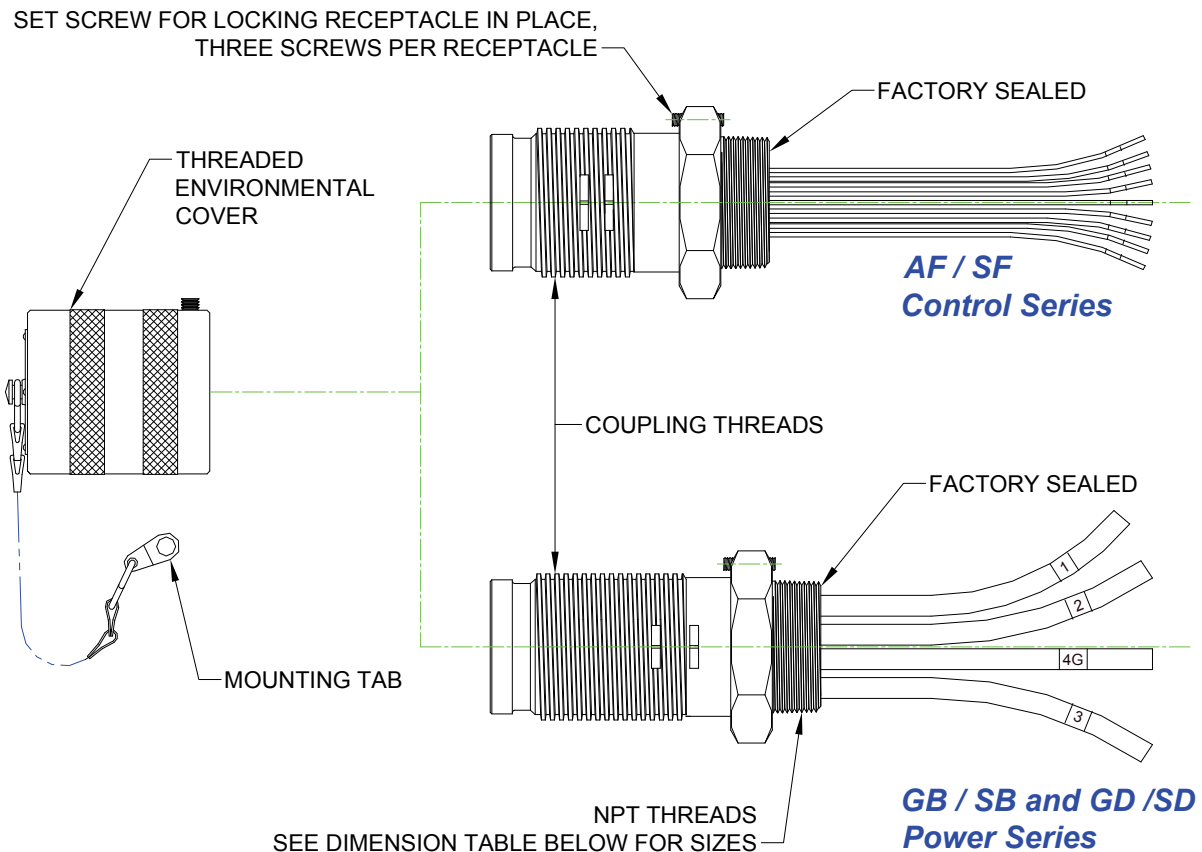
Vantage Technology, LLC

NPT Mount Receptacles

AF/SF, GB/SB and GD/SD Series

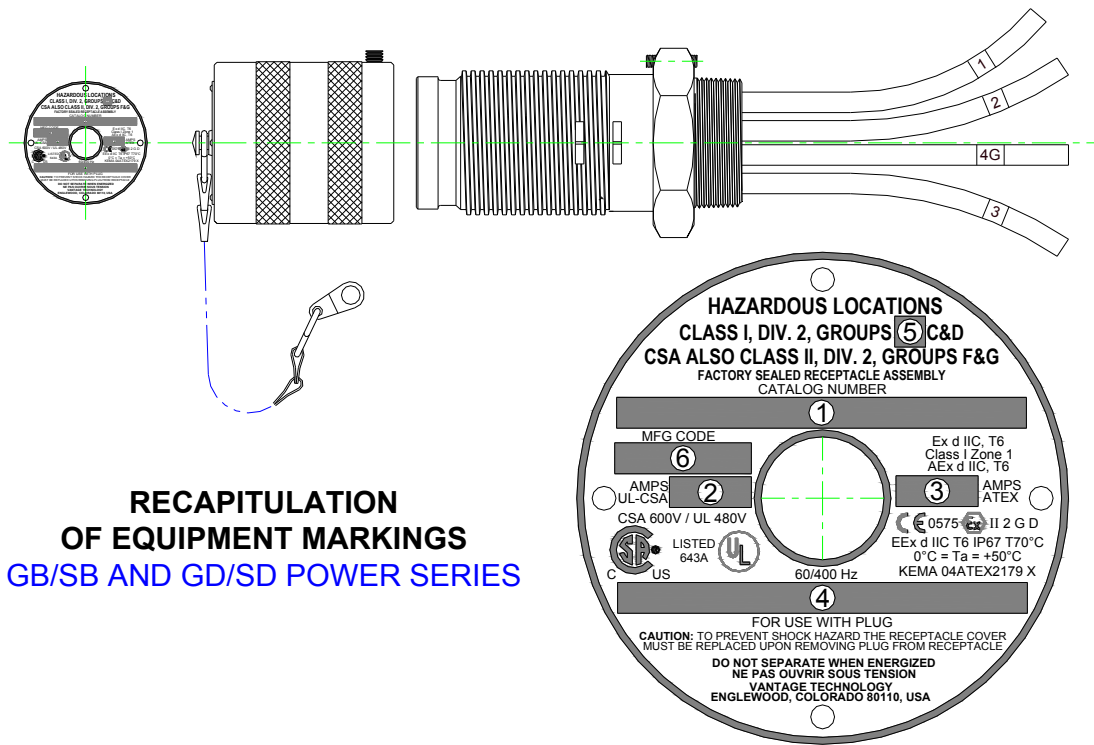
ASSEMBLY, TERMINATION and USAGE INSTRUCTIONS

Identification of Principal Parts






Assembly Notes

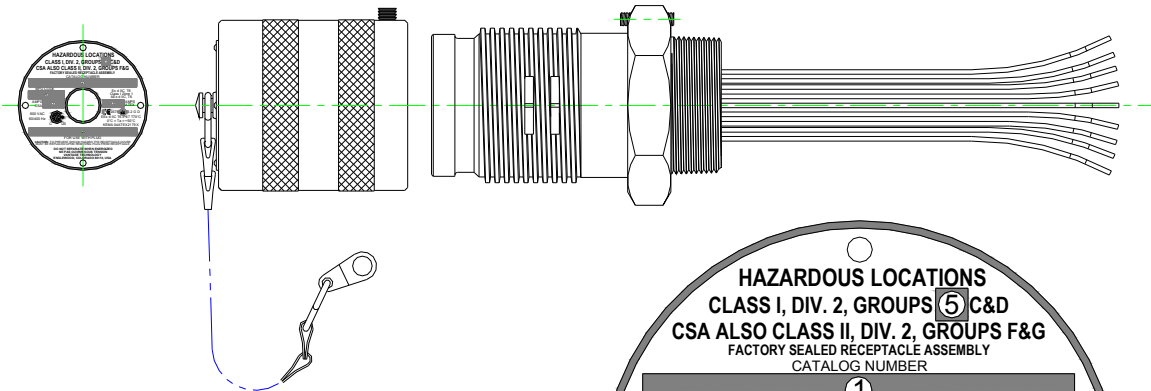
1. In the event of breaking of sealing compound, receptacle must be returned to factory for resealing. Otherwise, all manufacturing and third party certifications are void.
2. NPT Receptacles come with three set screws to lock receptacle in place.
3. Check dimension table below for the NPT thread size of your receptacle.
4. When conditions require, lubricate coupling threads with silicone oil, Vantage Part Number VT-9400-21D.
5. Use the receptacle cover mounting tab to prevent cover from being lost while receptacle is in use. **Caution:** To prevent shock hazard the receptacle cover must be threaded onto receptacle when receptacle is not in use. **Attention:** Pour empêcher le risque de choc, remplacez la couverture de réceptacle quand pas en service. **Aandacht:** Om elektroshokgevaar te verhinderen, vervang vergaarbakdekking wanneer niet in gebruik.



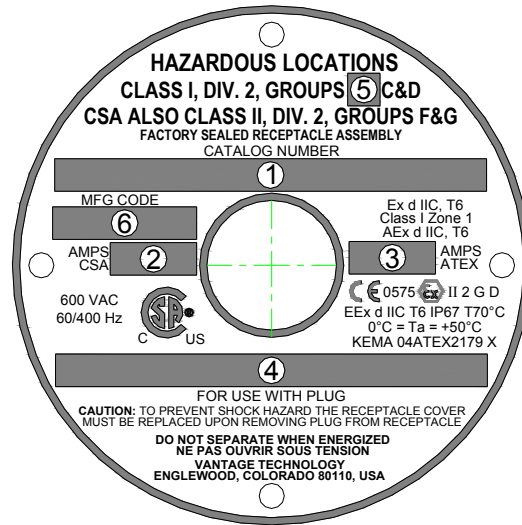
**RECAPITULATION
 OF EQUIPMENT MARKINGS
 GB/SB AND GD/SD POWER SERIES**



Field 1 Catalog Number ¹	Field 2 AMP Rating	Field 3 AMP Rating	Field 4 For use with Plug ²	Field 5 Group(s)
	 			
GB-B1916-51SL-LXX	30	32	GB-1016-51PL-XX	B-C-D
GD-B1916-51SL-LXX	30	32	GD-1016-51PL-XX	C-D
GB-B1916-23SL-LXX	30	32	GB-1016-23PL-XX	B-C-D
GD-B1916-23SL-LXX	30	32	GD-1016-23PL-XX	C-D
GB-B1916-36SL-LXX	30	32	GB-1016-36PL-XX	B-C-D
GD-B1916-36SL-LXX	30	32	GD-1016-36PL-XX	C-D
GB-B1920-61SL-LXX	60	63	GB-1020-61PL-XX	B-C-D
GD-B1920-61SL-LXX	60	63	GD-1020-61PL-XX	C-D
GB-B1920-40SL-LXX	60	63	GB-1020-40PL-XX	B-C-D
GD-B1920-40SL-LXX	60	63	GD-1020-40PL-XX	C-D
GB-B1924-29SL-LXX	60	63	GB-1024-29PL-XX	B-C-D
GD-B1924-29SL-LXX	60	63	GD-1024-29PL-XX	C-D
GB-B1924-60SL-LXX	100	125	GB-1024-60PL-XX	B-C-D
GD-B1924-60SL-LXX	100	125	GD-1024-60PL-XX	C-D
GB-B1924-39SL-LXX	100	125	GB-1024-39PL-XX	B-C-D
GD-B1924-39SL-LXX	100	125	GD-1024-39PL-XX	C-D
GB-B1928-23SL-LXX	100	125	GB-1028-23PL-XX	B-C-D
GD-B1928-23SL-LXX	100	125	GD-1028-23PL-XX	C-D
GB-B1928-30SL-LXX	200	260	GB-1028-30PL-XX	B-C-D
GD-B1928-30SL-LXX	200	260	GD-1028-30PL-XX	C-D
GB-B1928-31SL-LXX	200	260	GB-1028-31PL-XX	B-C-D
GDU-B1928-31SL-LXX	200	260	GDU-1028-31PL-XX	C-D
GDT-B1928-42SL-LXX	200	260	GDT-1028-42PL-XX	C-D

1. Part numbers may vary; consult Vantage with questions. Connector part numbers beginning with 'G' are made of aluminum; 'S' of stainless steel. A 'PL' instead of 'SL' represents pins instead of sockets. Characters such as 'SL01' represent that the insert is keyed in the '01' key position and will only mate with inserts with the same orientation. LXX is the length of the wire leads in inches.
2. Part numbers may vary; consult Vantage with questions. Connector part numbers beginning with 'G' are made of aluminum; 'S' of stainless steel. Occurrence of the letter 'D' represents the addition of a cover. A 'SL' instead of 'PL' represents sockets instead of pins. Characters such as 'PL01' represent that the insert is keyed in the '01' key position and will only mate with inserts with the same orientation. 'XX' represents the cable diameter code.

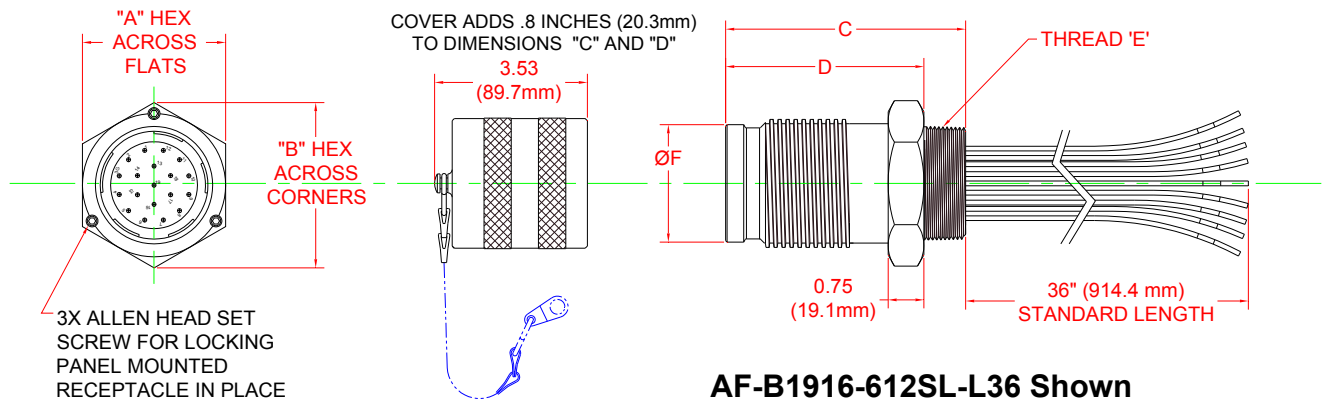


**RECAPITULATION
OF EQUIPMENT MARKINGS
AF/SF CONTROL SERIES**



Field 1 Catalog Number ³	Field 2 AMP Rating	Field 3 AMP Rating	Field 4 For use with Plug ⁴	Field 5 Group(s)
				
AF-B1916-681SL-LXX	10.0	20 and 30	AF-1016-681PL-XX	B-C-D
AF-B1916-676SL-LXX	10.0	20 and 30	AF-1016-676PL-XX	B-C-D
AF-B1916-612SL-LXX	10.0	20	AF-1016-612PL-XX	B-C-D
AF-B1916-677SL-LXX	10.0	20	AF-1016-677PL-XX	B-C-D
AF-B1920-676SL-LXX	10.0	20	AF-1020-676PL-XX	B-C-D
AF-B1920-688SL-LXX	10.0	20	AF-1020-688PL-XX	B-C-D
AF-B1916-655SL-LXX	6.5	15	AF-1016-655PL-XX	B-C-D
AF-B1920-632SL-LXX	10.0	20	AF-1020-632PL-XX	B-C-D
AF-B1920-687SL-LXX	10.0	20	AF-1020-687PL-XX	B-C-D
AF-B1920-686SL LXX	10.0	20	AF-1020-686PL-XX	B-C-D
AF-B1920-650SL-LXX	10.0	20	AF-1020-650PL-XX	B-C-D
AF-B1916-621SL-LXX	6.5	15	AF-1016-621PL-XX	B-C-D
AF-B1916-640SL-LXX	3.5	10	AF-1016-640PL-XX	B-C-D
AF-B1916-633SL-LXX	3.5	10	AF-1016-633PL-XX	B-C-D
AF-B1920-613SL-LXX	6.5	15	AF-1020-613PL-XX	B-C-D
AF-B1924-613SL-LXX	5.0	15	AF-1024-613PL-XX	B-C-D

- Part numbers may vary; consult Vantage with questions. Connector part numbers beginning with 'G' are made of aluminum; 'S' of stainless steel. A 'PL' instead of 'SL' represents pins instead of sockets. Characters such as 'SL01' represent that the insert is keyed in the '01' key position and will only mate with inserts with the same orientation. LXX is the length of the wire leads in inches.
- Part numbers may vary; consult Vantage with questions. Connector part numbers beginning with 'G' are made of aluminum; 'S' of stainless steel. Occurrence of the letter 'D' represents the addition of a cover. A 'SL' instead of 'PL' represents sockets instead of pins. Characters such as 'PL01' represent that the insert is keyed in the '01' key position and will only mate with inserts with the same orientation. 'XX' represents the cable diameter code.



Dimensions for NPT Mount Receptacles							
	Shell Size	A INCHES (mm)	B INCHES (mm)	C INCHES (mm)	D INCHES (mm)	NPT THREAD 'E'	F INCHES (mm)
AF/SF GD/SD	16	2.5 (63.5)	2.875 (73.0)	5 (127.0)	4.156 (105.6)	1 ½ - 11 ½	1.969 (50.0)
	20	3 (76.2)	3.469 (88.1)	5.031 (127.8)	4.156 (105.6)	2 - 11 ½	2.469 (62.7)
	24	3.5 (88.9)	4.031 (102.4)	5.406 (137.3)	4.156 (105.6)	2 ½ - 8	2.969 (75.4)
	28	4 (101.6)	4.625 (117.5)	5.469 (138.9)	4.156 (105.6)	3 - 8	3.469 (88.1)
GB/SB GDU/SDU	16	2.5 (63.5)	2.875 (73.0)	6 (152.4)	5.156 (131.0)	1 ½ - 11 ½	1.969 (50.0)
	20	3 (76.2)	3.469 (88.1)	6.031 (153.2)	5.156 (131.0)	2 - 11 ½	2.469 (62.7)
	24	3.5 (88.9)	4.031 (102.4)	6.406 (162.7)	5.156 (131.0)	2 ½ - 8	2.969 (75.4)
	28	4 (101.6)	4.625 (117.5)	6.469 (164.3)	5.156 (131.0)	3 - 8	3.469 (88.1)

 **Vantage
Technology** LLC
4675 South Windermere Street
Englewood, Colorado 80110

Voice 303-761-2121
FAX 303-789-4215
E-mail service@VantageXP.com
Web Site www.VantageXP.com