



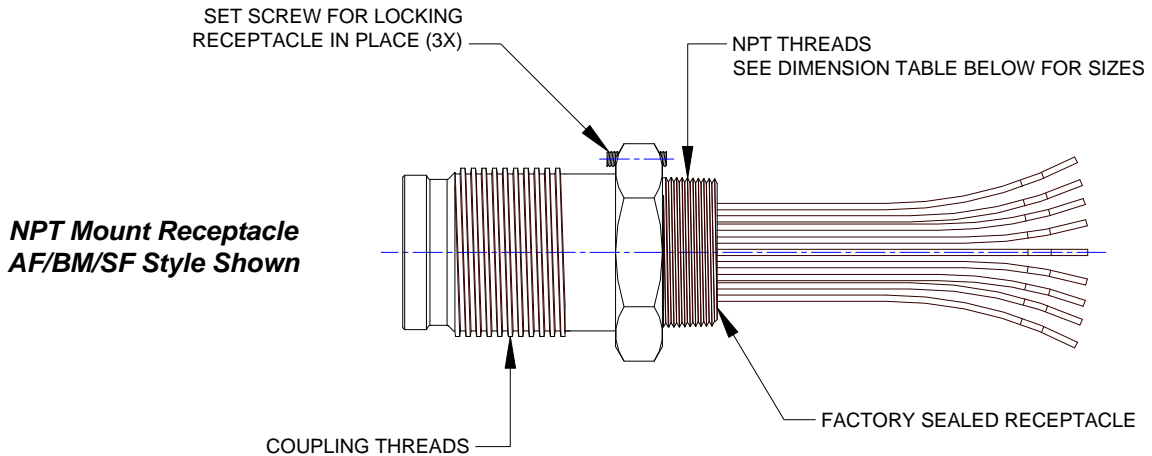
Vantage Technology, LLC

Panel and NPT Mount Receptacles

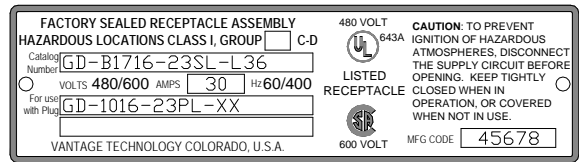
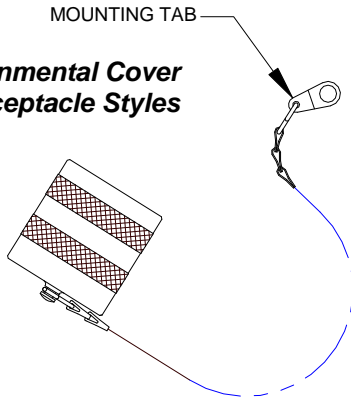
A, B, G, and S Series

Installation Information

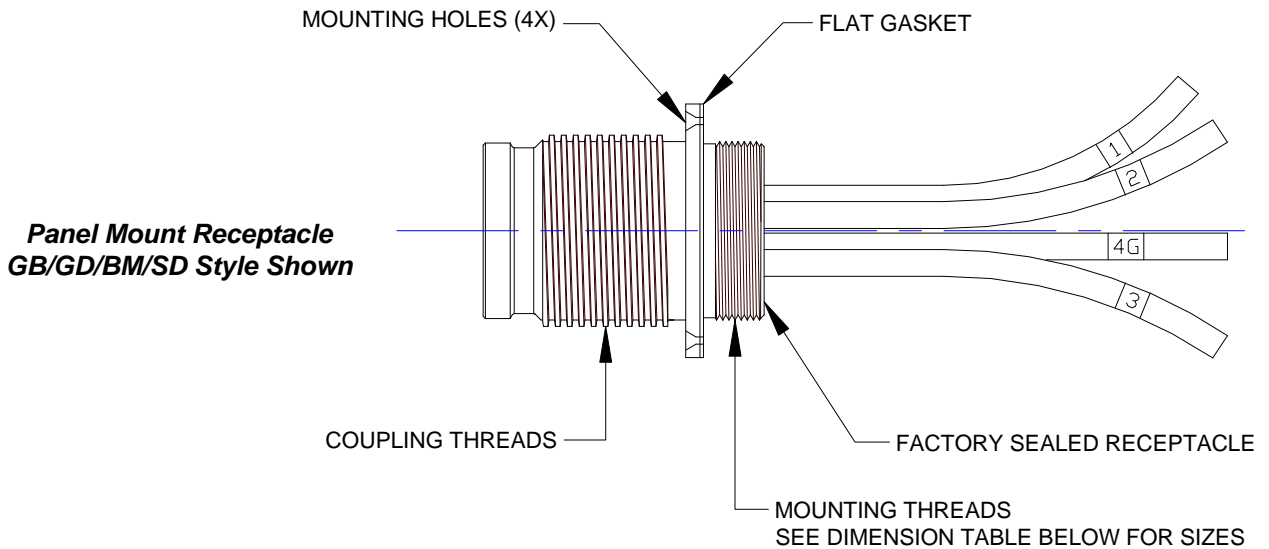
Identification of Principal Parts



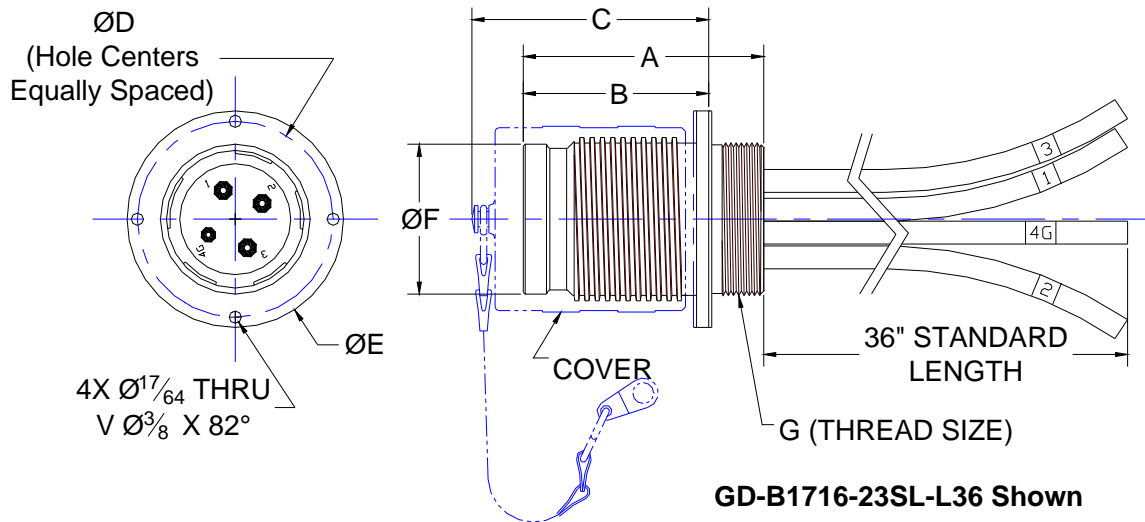
**Environmental Cover
All Receptacle Styles**



**Nameplate
Included with All Receptacles**



Dimensions for Panel Mount Receptacle

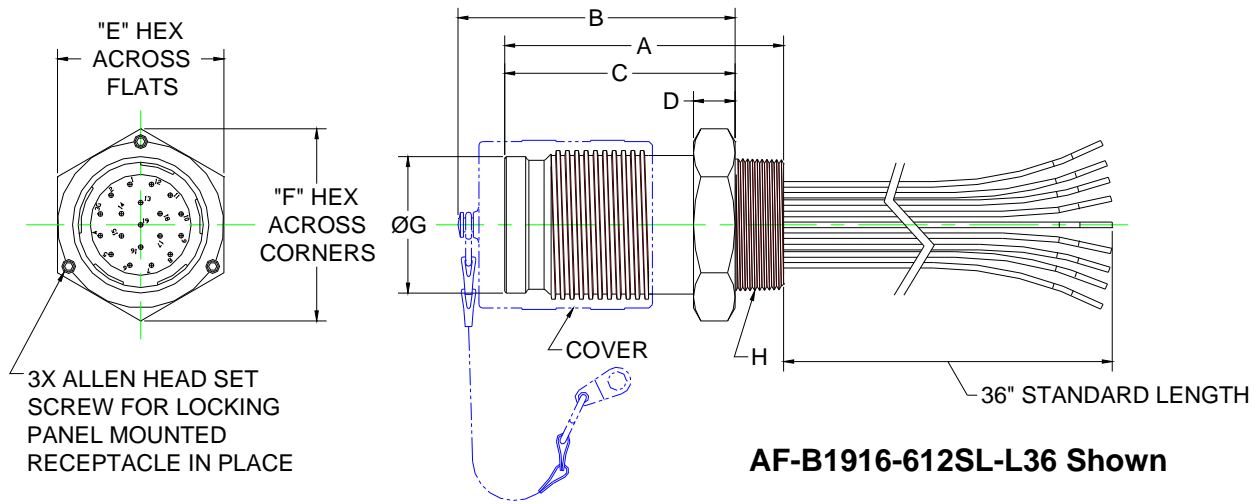


Dimensions Panel Mount Receptacle					
AF/SF GD/SD BM	Dimension	Shell Size			
		16	20	24	28
Stainless Steel Weight Factor 1.4	A (in)	4 1/16	4 1/16	4 1/16	4 1/16
	B (in)	3 1/16	3 1/16	3 1/16	3 1/16
	C (in)	3 15/16	3 15/16	3 15/16	3 15/16
	D (in)	2.610	3.110	3.735	4.235
	E (in)	3 1/16	3 9/16	4 3/16	4 11/16
	F (in)	1 31/32	2 15/32	2 31/32	3 15/32
	G-16UN Thread	2	2 1/2	3 1/8	3 5/8
	Weight* (lbs)	3	4	8	13

Dimensions Panel Mount Receptacle					
GB/SB GDU/SDU	Dimension	Shell Size			
		16	20	24	28
Stainless Steel Weight Factor 1.6	A (in)	5 1/16	5 1/16	5 1/16	5 1/16
	B (in)	4 1/16	4 1/16	4 1/16	4 1/16
	C (in)	4 15/16	4 15/16	4 15/16	4 15/16
	D (in)	2.610	3.110	3.735	4.235
	E (in)	3 1/16	3 9/16	4 3/16	4 11/16
	F (in)	1 31/32	2 15/32	2 31/32	3 15/32
	G-16UN Thread	2	2 1/2	3 1/8	3 5/8
	Weight* (lbs)	3	5	8	14

*Weights provided for Victory Series (aluminum) for depicted configuration. Receptacle weights will vary with wire quantity and length. Multiply by "Stainless Steel Weight Factor" to determine weight for Millennium Series (stainless steel).

Dimensions for NPT Mount Receptacle



Dimensions NPT Mount Receptacle					
AF/SF GD/SD BM	Dimension	Shell Size			
		16	20	24	28
Stainless Steel Weight Factor 1.6	A (in)	5	5 1/32	5 13/32	5 15/32
	B (in)	4 7/8	4 7/8	4 7/8	4 7/8
	C (in)	4 5/32	4 5/32	4 5/32	4 5/32
	D (in)	3/4	3/4	3/4	3/4
	E (in)	2 1/2	3	3 1/2	4
	F (in)	2 7/8	3 15/32	4 1/32	4 5/8
	G (in)	1 31/32	2 15/32	2 31/32	3 15/32
	H-NPT THREAD	1 1/2 - 11 1/2	2 - 11 1/2	2 1/2 - 8	3 - 8
	Weight* (lbs)	3	5	8	13

Dimensions NPT Mount Receptacle					
GB/SB GDU/SDU BM	Dimension	Shell Size			
		16	20	24	28
Stainless Steel Weight Factor 1.7	A (in)	6	6 1/32	6 13/32	6 15/32
	B (in)	5 7/8	5 7/8	5 7/8	5 7/8
	C (in)	5 5/32	5 5/32	5 5/32	5 5/32
	D (in)	3/4	3/4	3/4	3/4
	E (in)	2 1/2	3	3 1/2	4
	F (in)	2 7/8	3 15/32	4 1/32	4 5/8
	G (in)	1 31/32	2 15/32	2 31/32	3 15/32
	H-NPT THREAD	1 1/2 - 11 1/2	2 - 11 1/2	2 1/2 - 8	3 - 8
	Weight* (lbs)	3	5	9	14

*Weights provided for Victory Series (aluminum) for depicted configuration. Receptacle weights will vary with wire quantity and length. Multiply by "Stainless Steel Weight Factor" to determine weight for Millennium Series (stainless steel).

Assembly Notes

1. In the event of breaking of sealing compound, receptacle must be returned to factory for resealing. Otherwise, all manufacturing and third party certifications are void.
2. When conditions require, lubricate coupling threads with silicone oil, Vantage Part Number VT-9400-21D.
3. Securely fasten nameplate near receptacle. It provides important safety information.
4. Use the receptacle cover mounting tab to prevent cover from being lost while receptacle is in use. **Caution:** To prevent shock hazard the receptacle cover must be threaded onto receptacle when receptacle is not in use.

NPT Mount

1. NPT Receptacles come with three set screws to lock receptacle in place.
2. Check dimension table above for the NPT thread size of your receptacle.

Panel Mount

1. Check dimension table above for mounting hole sizes and locations.

Note: *Electrical installation shall be in compliance with the National Electric Code (NEC), EN/IEC60079-14, and/or any other presiding local or national electrical codes.*

 **Vantage
Technology LLC**
4675 South Windermere Street
Englewood, Colorado 80110

Voice 303-761-2121
FAX 303-789-4215
E-mail support@VantageXP.com
Web Site www.VantageXP.com