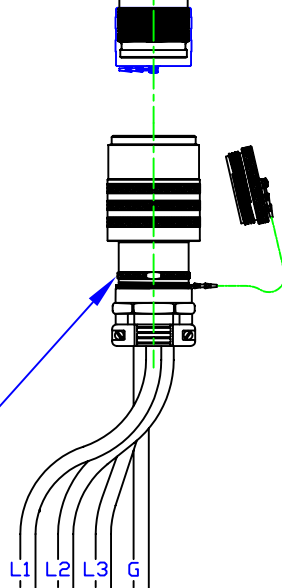
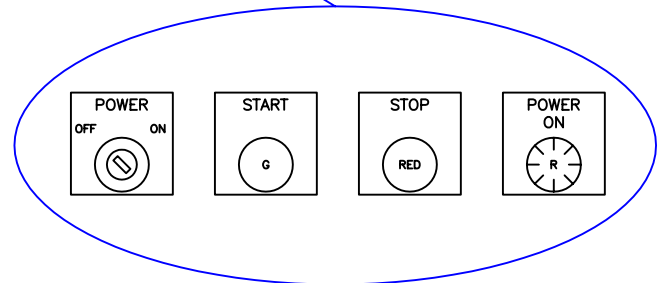



**V-70793-300A-XXX:**  
 Explosionproof Junction Box with  
 Circuit Breaker, Contactor,  
 Transformer, Switches, Pilot Light  
 and GDT-B1928-42SL-L48  
 Receptacle

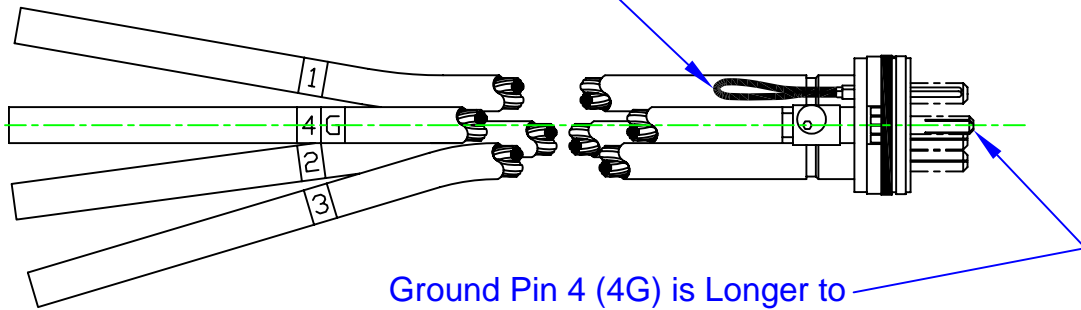


**V-70793-300A-PCA-XXX:**  
 Plug Cable Assembly (PCA) with GDT-D1028-42PL-XX  
 Terminated to Specified Lengths of Single Conductor 4/0  
 Heavy Duty Flexible 600 Volt Jacketed Wires

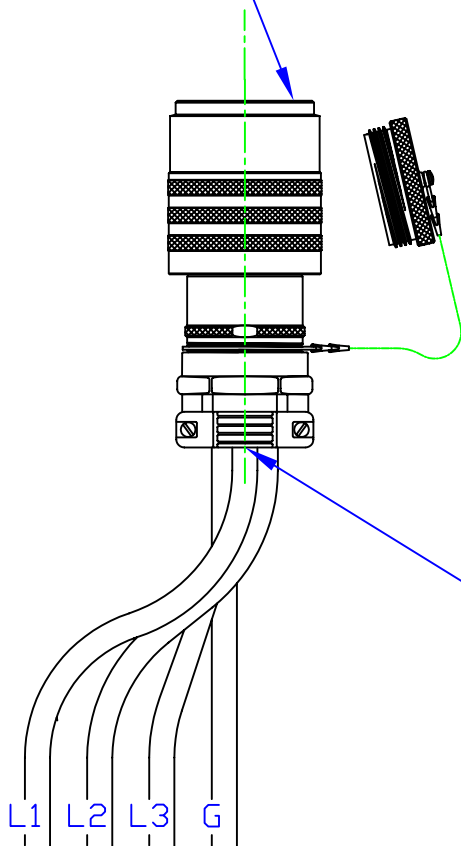


REV: C	WTN BY: JACK NELLIGAN	DOCUMENT TITLE: <b>300 AMP          CLASS I, DIVISION 1          INTERLOCKED SYSTEM</b>	 <b>Vantage Technology</b> LLC 4675 South Windermere Street Englewood, Colorado USA 80110 Phone: 303-761-2121 ~ Fax: 303-789-4215 Email: service@vantagexp.com ~ Website: www.vantagexp.com	SHEET: 1 OF 4
	CHK BY: JACK NELLIGAN			
	ENG BY: DARRIN J. LOMBARD			
	ATEX: JOHN NORDECK			
	RELEASE DATE: 06/27/06			
<b>APPLICATION DATA SHEET</b>		DOCUMENT NUMBER: <b>ADS-V-70793</b>		

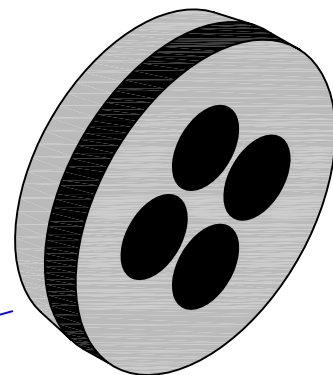
Pins 5 & 6 Are Shorter to "Make Last - Break First and Are Jumpered to Form an Interlocking Circuit




Ground Pin 4 (4G) is Longer to "Make First - Break Last"



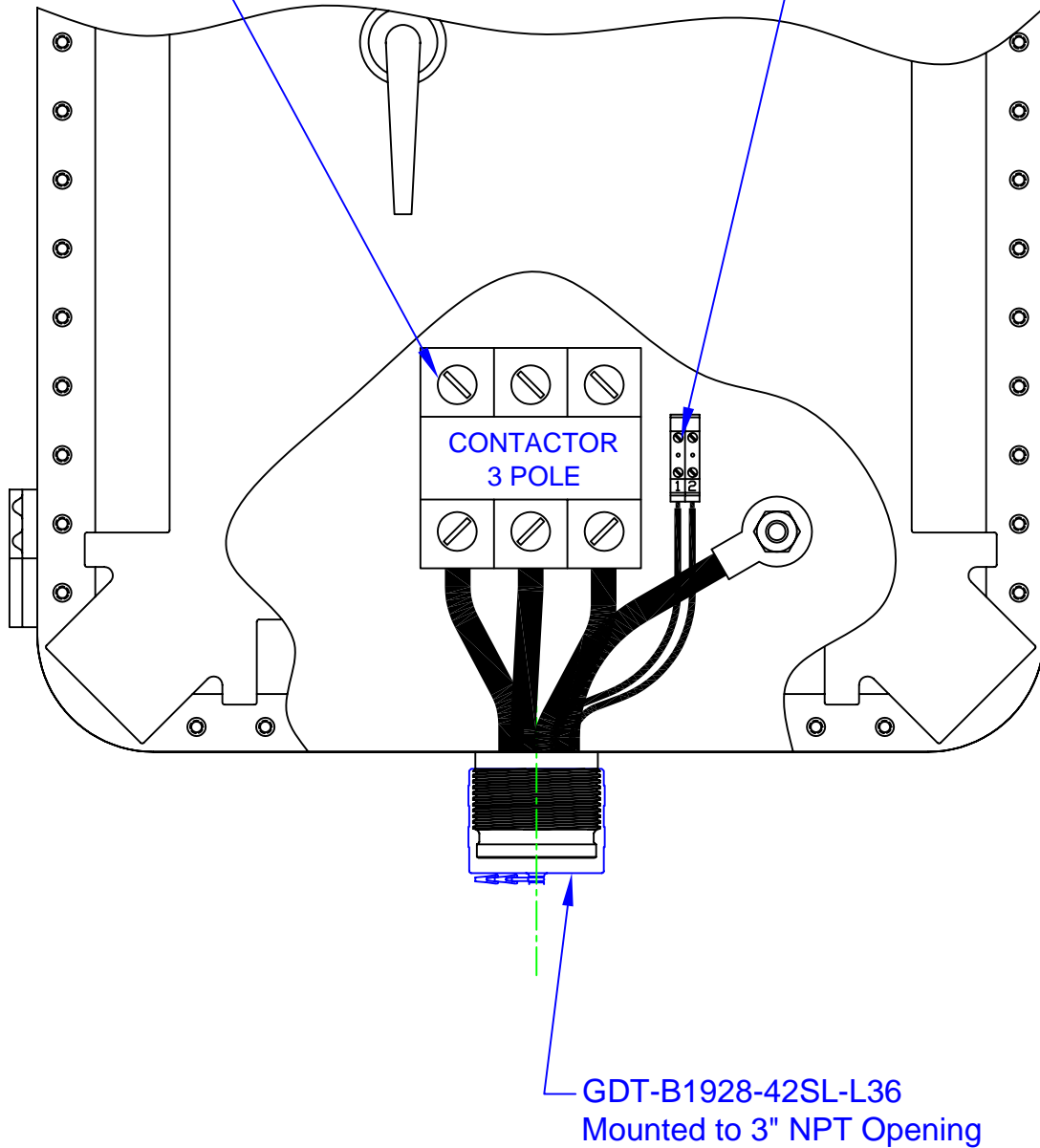
Special 4 Hole Grommet is Used for Environmental Sealing.



REV: C	WTN BY: JACK NELLIGAN	<p>DOCUMENT TITLE:</p> <p><b>300 AMP</b></p> <p><b>CLASS I, DIVISION 1</b></p> <p><b>INTERLOCKED SYSTEM</b></p>	 <p><b>Vantage Technology</b> LLC</p> <p>4675 South Windermere Street Englewood, Colorado USA 80110</p> <p>Phone: 303-761-2121 ~ Fax: 303-789-4215 Email: service@vantagexp.com ~ Website: www.vantagexp.com</p>	SHEET: 2 OF 4
	CHK BY: JACK NELLIGAN			
	ENG BY: DARRIN J. LOMBARD			
	ATEX: JOHN NORDECK			
	RELEASE DATE: 06/27/06			
<b>APPLICATION DATA SHEET</b>		DOCUMENT NUMBER: <b>ADS-V-70793</b>		

3 Pole Contactor

Pins 5 & 6 Wires Landed on Terminal Blocks



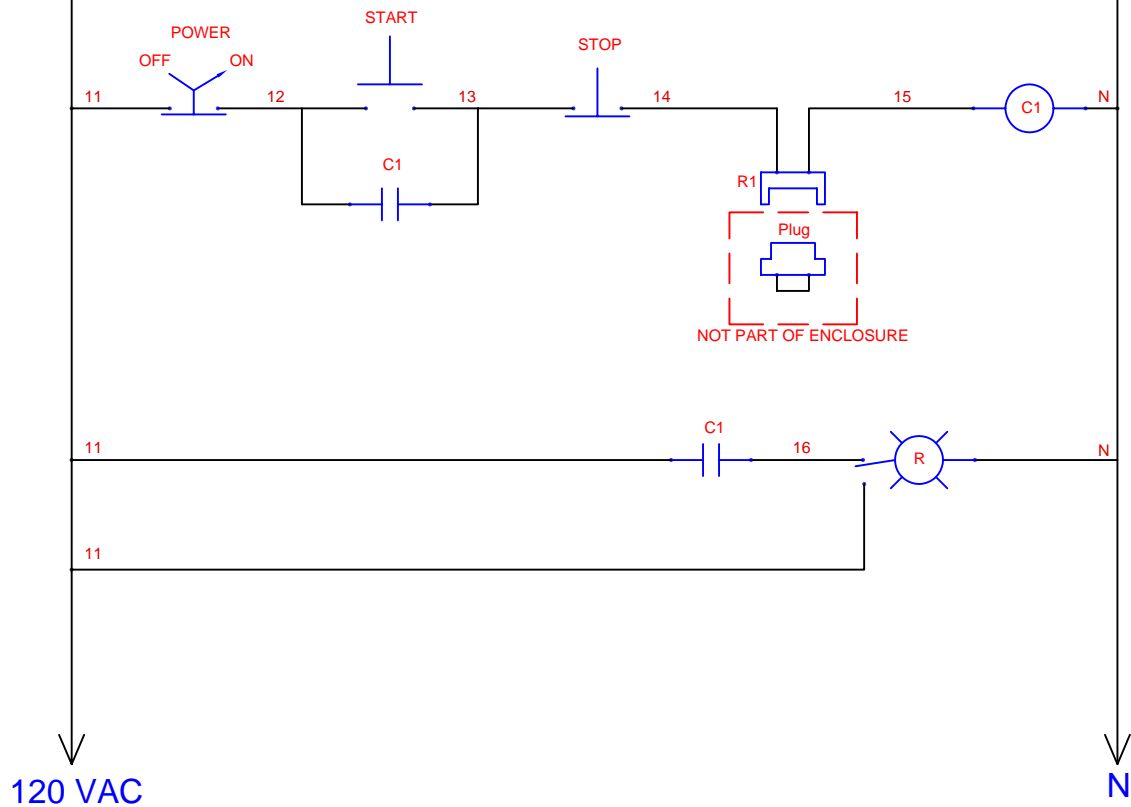
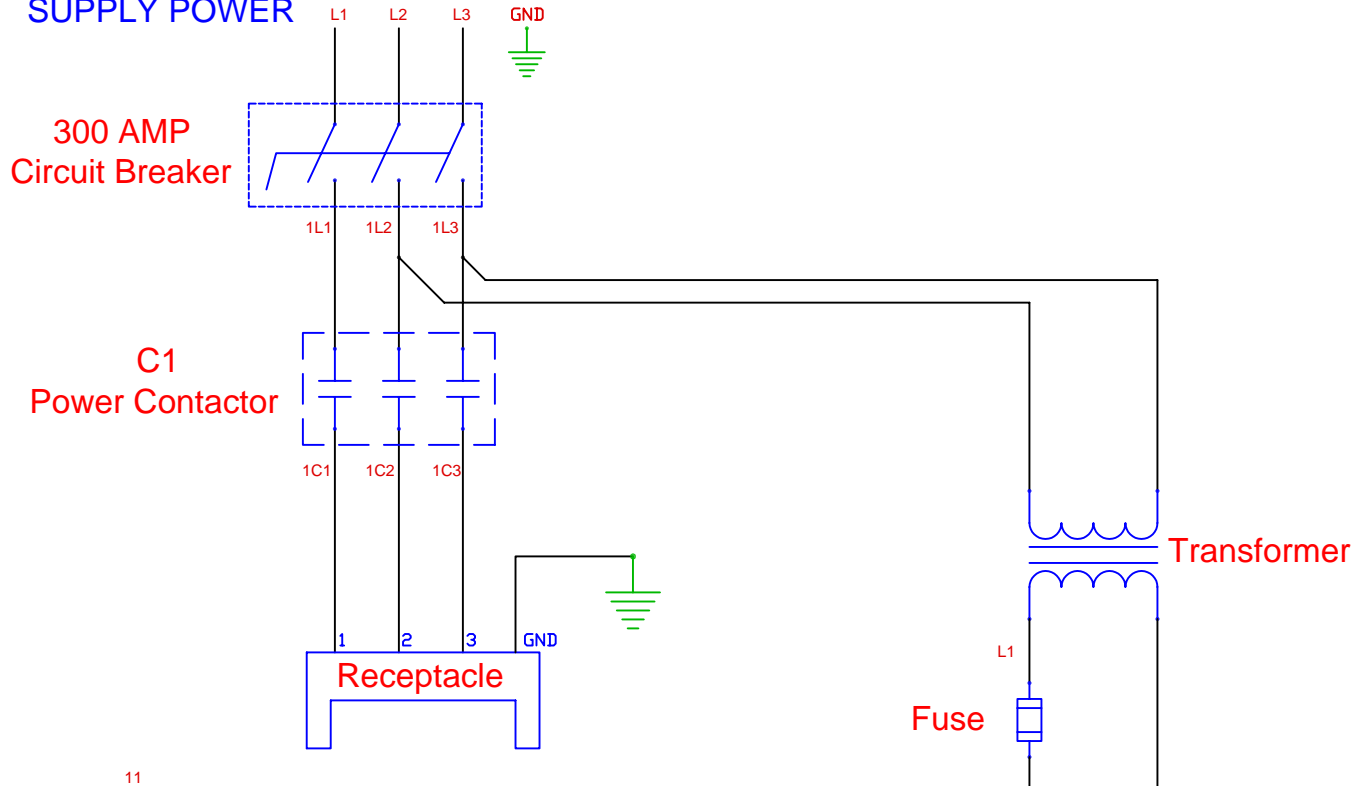
REV: C	WTN BY: JACK NELLIGAN
	CHK BY: JACK NELLIGAN
	ENG BY: DARRIN J. LOMBARD
	ATEX: JOHN NORDECK
	RELEASE DATE: 06/27/06

DOCUMENT TITLE:  
**300 AMP  
CLASS I, DIVISION 1  
INTERLOCKED SYSTEM**


**APPLICATION DATA SHEET**

	<b>Vantage Technology</b> LLC
	4675 South Windermere Street Englewood, Colorado USA 80110 Phone: 303-761-2121 ~ Fax: 303-789-4215 Email: service@vantagexp.com ~ Website: www.vantagexp.com
DOCUMENT NUMBER: <b>ADS-V-70793</b>	

SUPPLY POWER



SCHMATIC

REV: C	WTN BY: JACK NELLIGAN	DOCUMENT TITLE: <b>300 AMP                  CLASS I, DIVISION 1                  INTERLOCKED SYSTEM</b>	 <b>Vantage Technology LLC</b> 4675 South Windermere Street Englewood, Colorado USA 80110 Phone: 303-761-2121 ~ Fax: 303-789-4215 Email: service@vantagexp.com ~ Website: www.vantagexp.com	SHEET: 4 OF 4
	CHK BY: JACK NELLIGAN			
	ENG BY: DARRIN J. LOMBARD			
	ATEX: JOHN NORDECK			
	RELEASE DATE: 06/27/06			
<b>APPLICATION DATA SHEET</b>		DOCUMENT NUMBER: <b>ADS-V-70793</b>		