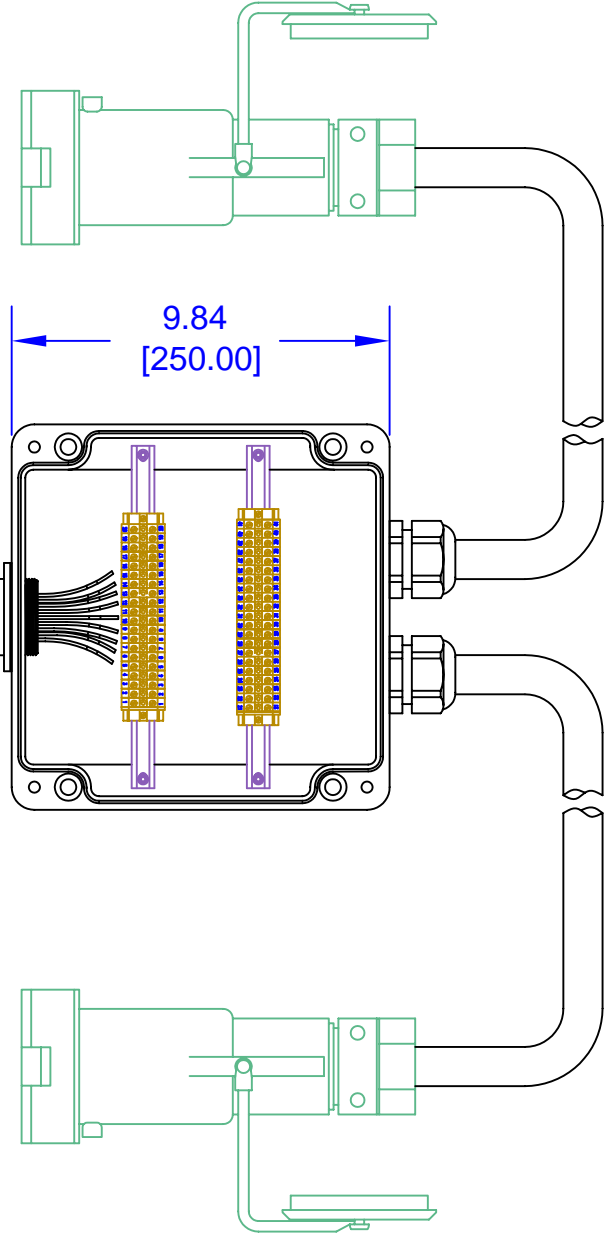
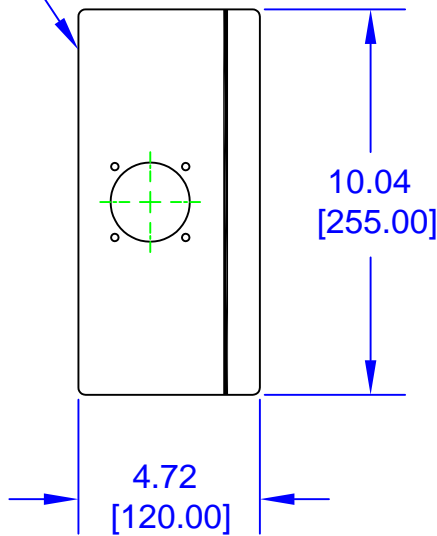

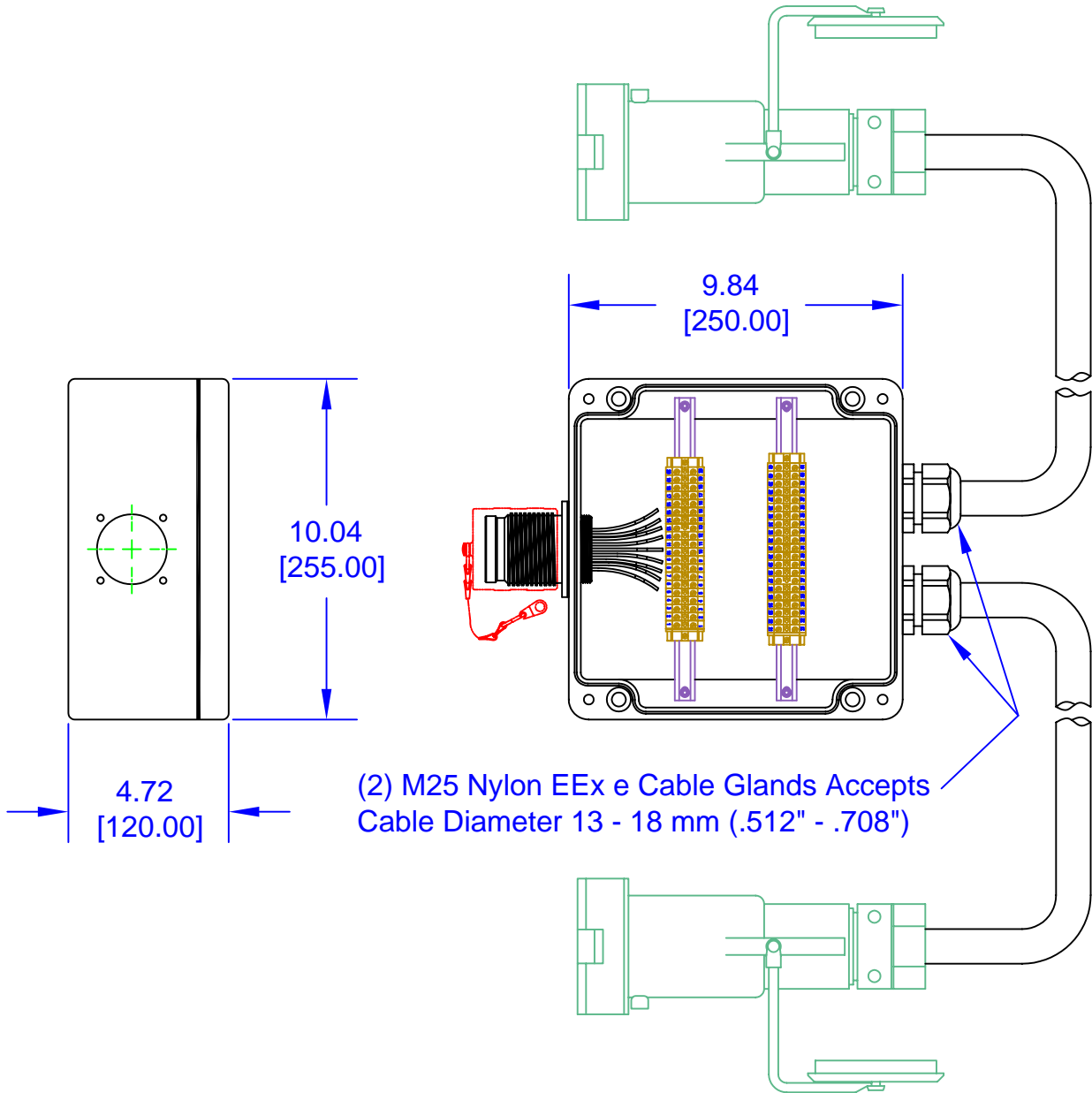
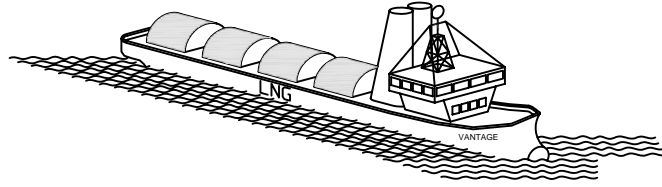


EEx e Halogen Free Glass Fiber Reinforced Polyester Enclosure with (41) Terminal Blocks and (2) M25 Nylon Cable Gland.




ESD (Emergency Shut Down) Panel Mount Receptacle AF-B1716-621SK-L36 with Environmental Cover. See Product Data Sheet PDS-AF-SF-EMR for Division and Zone Certifications.

REV: A	WTN BY: DARRIN J. LOMBARD	DOCUMENT TITLE: VANTAGE TO MIYAKI ATEX / EEx e ADAPTER ASSEMBLY	 Vantage Technology LLC 4675 South Windermere Street Englewood, Colorado USA 80110 Phone: 303-761-2121 ~ Fax: 303-789-4215 Email: service@vantagexp.com ~ Website: www.vantagexp.com	SHEET: 1 OF 2
	CHK BY: JACK NELLIGAN			
	ENG BY: DARRIN J. LOMBARD			
	ATEX: JOHN NORDECK			
	RELEASE DATE: 08/18/05			
APPLICATION DATA SHEET		DOCUMENT NUMBER: ADS-V-70649		



(2) M25 Nylon EEx e Cable Glands Accepts Cable Diameter 13 - 18 mm (.512" - .708")

- Contact Vantage for Available Variations -

REV: A	WTN BY: DARRIN J. LOMBARD	DOCUMENT TITLE: VANTAGE TO MIYAKI ATEX / EEx e ADAPTER ASSEMBLY	 Vantage Technology LLC 4675 South Windermere Street Englewood, Colorado USA 80110 Phone: 303-761-2121 ~ Fax: 303-789-4215 Email: service@vantagexp.com ~ Website: www.vantagexp.com	SHEET: 2 OF 2
	CHK BY: JACK NELLIGAN			
	ENG BY: DARRIN J. LOMBARD			
	ATEX: JOHN NORDECK			
	RELEASE DATE: 08/18/05			
APPLICATION DATA SHEET		DOCUMENT NUMBER: ADS-V-70649		