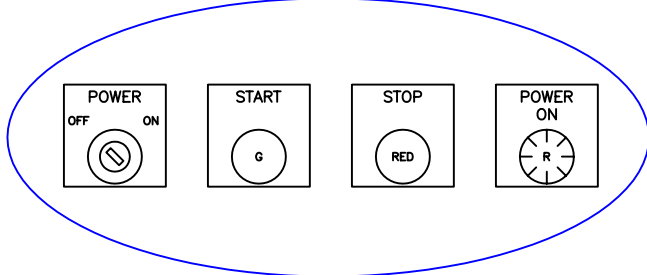



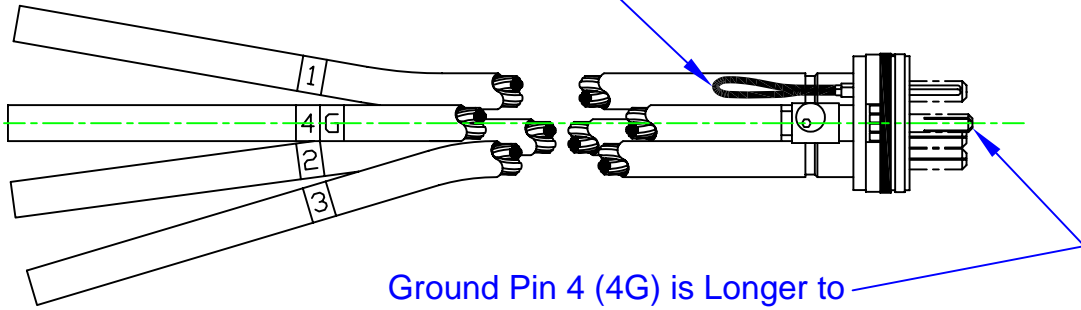
**V-70474-400A-RCPT:**  
 Explosionproof Junction Box with  
 Circuit Breaker, Contactor,  
 Transformer, Switches, Pilot Light  
 and (2) GDT-B1928-42SL-L48  
 Receptacles

**V-70474-400A-PCA-XXX:**  
 Plug Cable Assembly (PCA) with (2) GDT-D1028-42PL-XX  
 Terminated to Specified Lengths of Single Conductor 3/0  
 Heavy Duty Flexible 600 Volt Wires

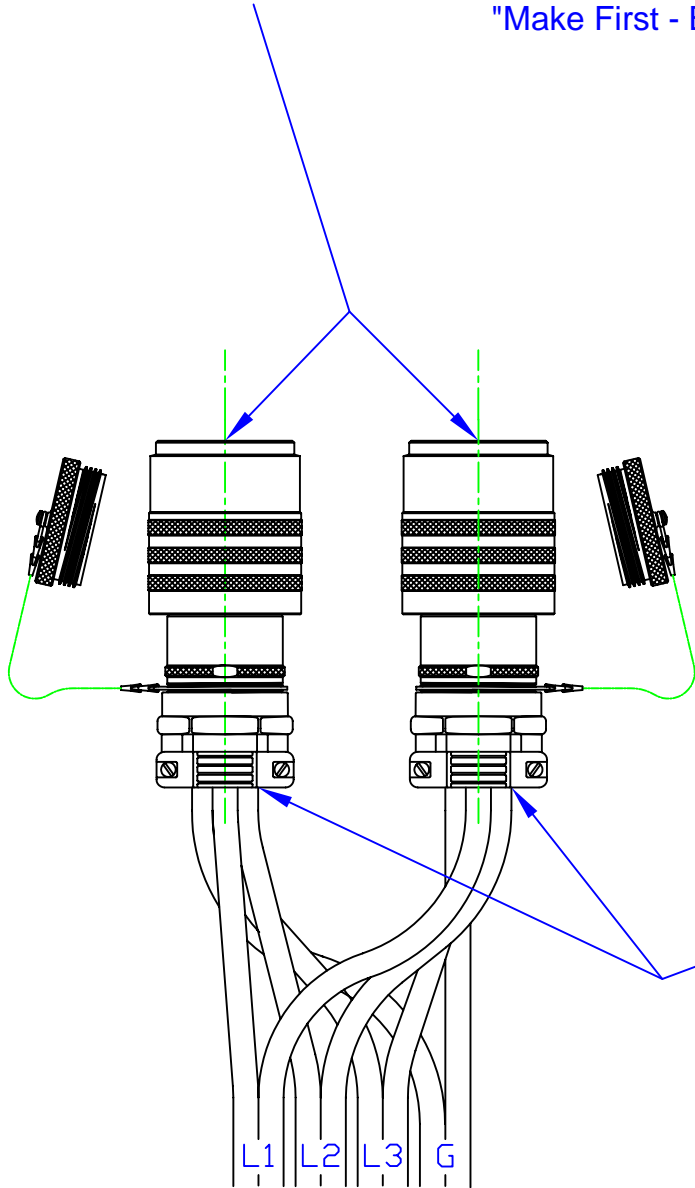


REV: B	WTN BY: JACK NELLIGAN	DOCUMENT TITLE: <b>400 AMP</b> <b>CLASS I, DIVISION 1</b> <b>INTERLOCKED SYSTEM</b>	 <b>Vantage Technology</b> LLC 4675 South Windermere Street Englewood, Colorado USA 80110 Phone: 303-761-2121 ~ Fax: 303-789-4215 Email: service@vantagexp.com ~ Website: www.vantagexp.com	SHEET: 1 OF 4
	CHK BY: DARRIN J. LOMBARD			
	ENG BY: LARRY JONES			
	ATEX: JOHN NORDECK			
	RELEASE DATE: 07/19/05			
<b>APPLICATION DATA SHEET</b>		DOCUMENT NUMBER: <b>ADS-V-70474</b>		

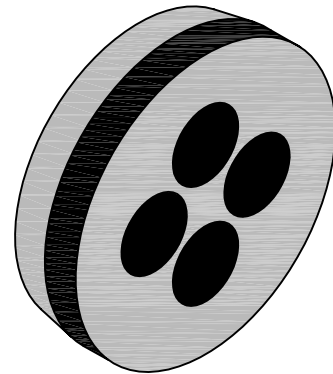
Pins 5 & 6 Are Shorter to "Make Last - Break First and Are Jumpered in Each Plug to Form an Interlocking Circuit




Ground Pin 4 (4G) is Longer to "Make First - Break Last"



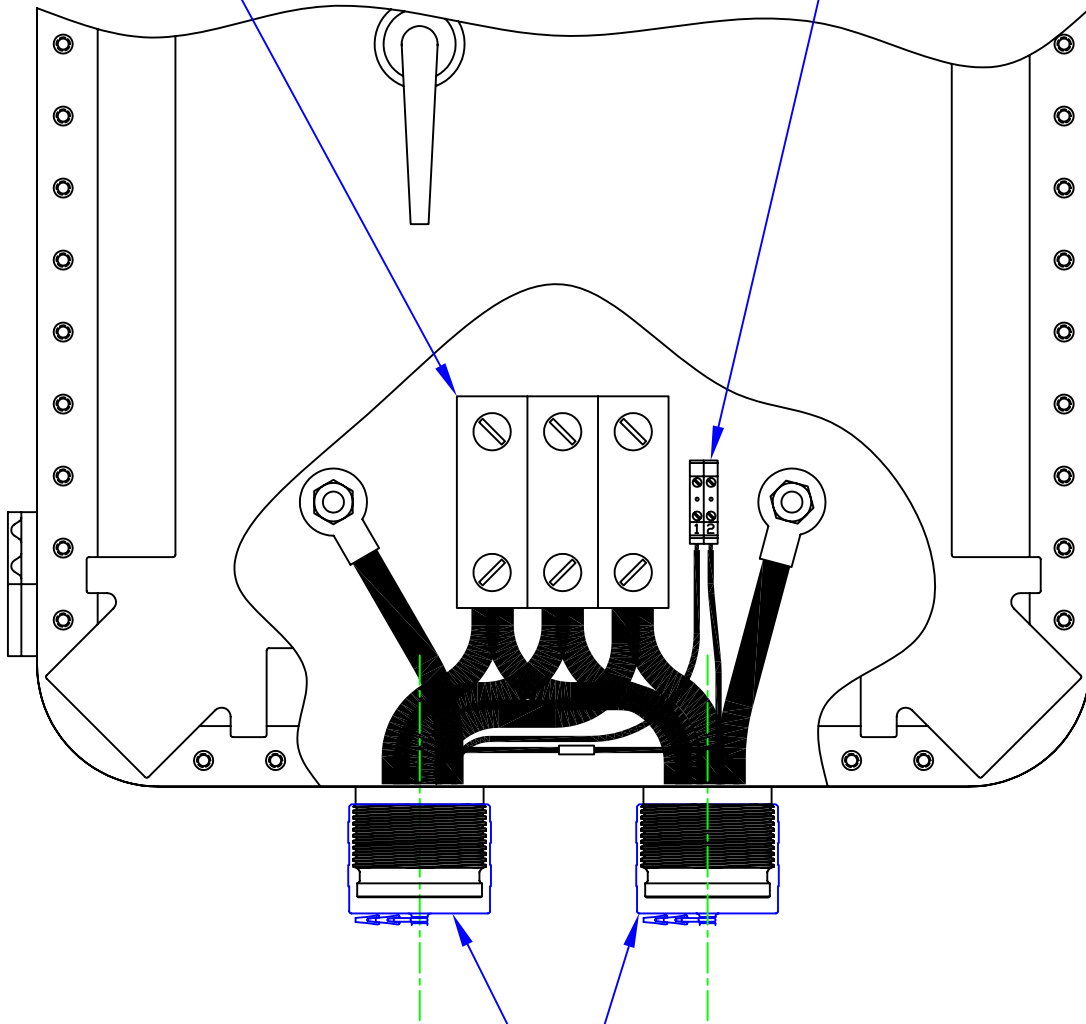
Special 4 Hole Grommet is Used for Environmental Sealing.




REV: B	WTN BY: JACK NELLIGAN	<p>DOCUMENT TITLE:</p> <p><b>400 AMP</b></p> <p><b>CLASS I, DIVISION 1</b></p> <p><b>INTERLOCKED SYSTEM</b></p>	 <p><b>Vantage Technology</b> LLC</p> <p>4675 South Windermere Street Englewood, Colorado USA 80110</p> <p>Phone: 303-761-2121 ~ Fax: 303-789-4215 Email: service@vantagexp.com ~ Website: www.vantagexp.com</p>	SHEET: 2 OF 4
	CHK BY: DARRIN J. LOMBARD			
	ENG BY: LARRY JONES			
	ATEX: JOHN NORDECK			
	RELEASE DATE: 07/19/05			
<b>APPLICATION DATA SHEET</b>		DOCUMENT NUMBER: <b>ADS-V-70474</b>		

Power Block: Supplied as Pressure or Lug Type and Sized to Incoming Conductors

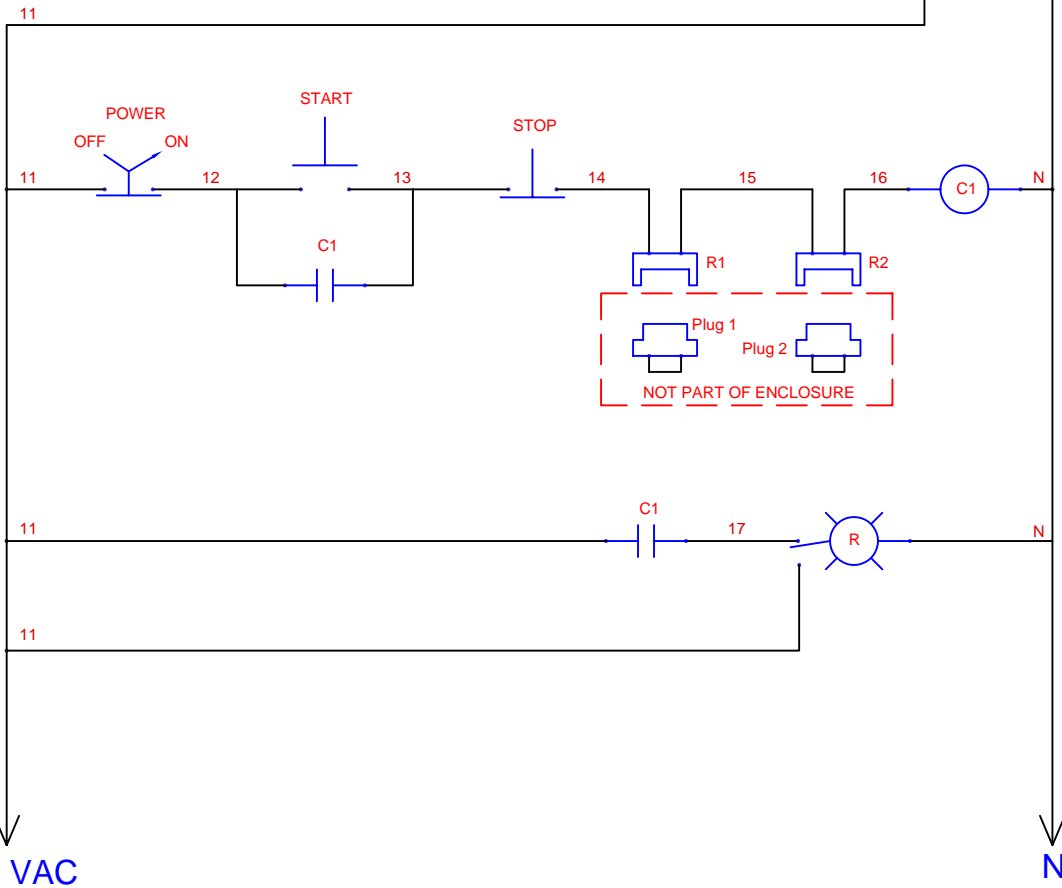
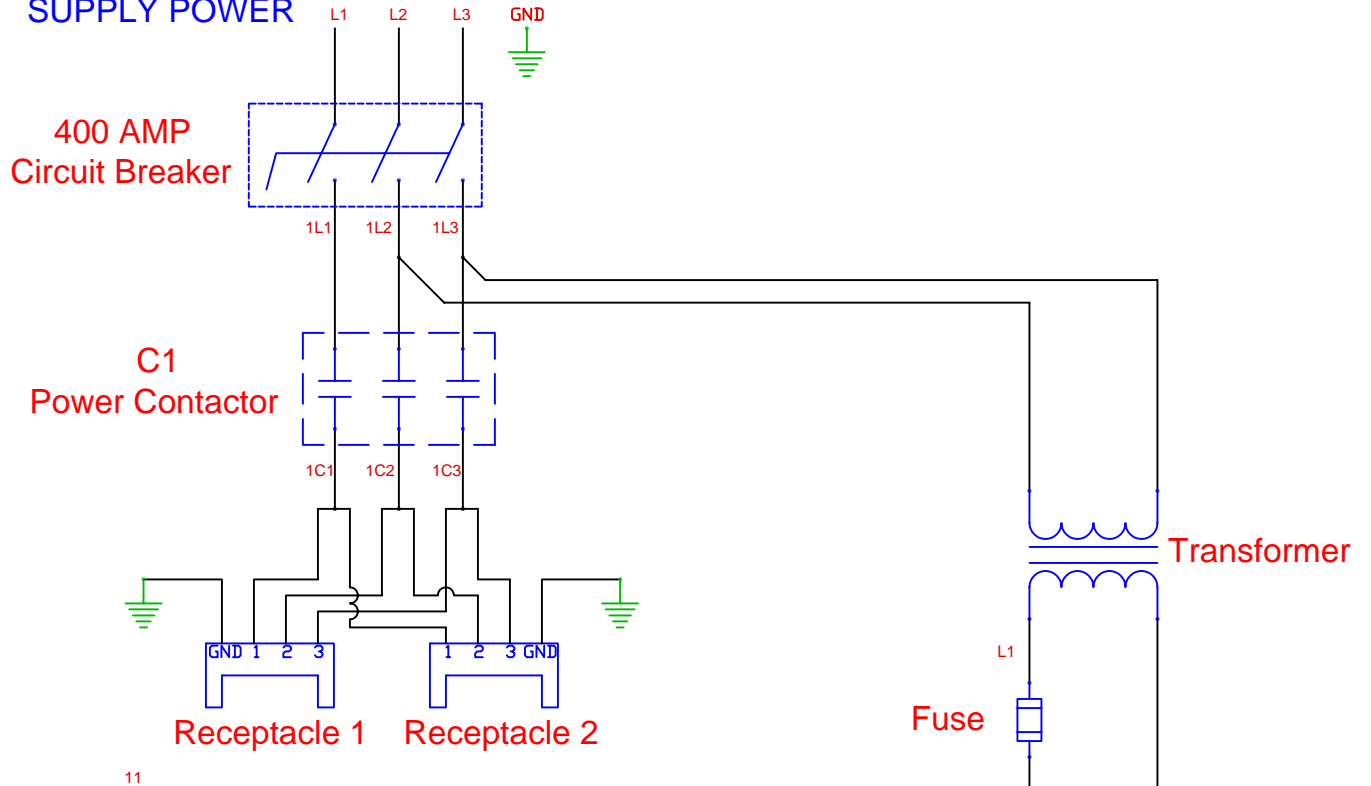
Pins 5 & 6 Wires are Daisy Chained and Landed on Terminal Blocks




(2x) GDT-B1928-42SL-L36  
Mounted to 3" NPT Openings

REV: B	WTN BY: JACK NELLIGAN	<p>DOCUMENT TITLE:</p> <p><b>400 AMP</b></p> <p><b>CLASS I, DIVISION 1</b></p> <p><b>INTERLOCKED SYSTEM</b></p>	 <p><b>Vantage Technology</b> LLC</p> <p>4675 South Windermere Street Englewood, Colorado USA 80110 Phone: 303-761-2121 ~ Fax: 303-789-4215 Email: service@vantagexp.com ~ Website: www.vantagexp.com</p>	SHEET: 3 OF 4
	CHK BY: DARRIN J. LOMBARD			
	ENG BY: LARRY JONES			
	ATEX: JOHN NORDECK			
	RELEASE DATE: 07/19/05			
<b>APPLICATION DATA SHEET</b>		DOCUMENT NUMBER: <b>ADS-V-70474</b>		

SUPPLY POWER



SCHMATIC

REV: B	WTN BY: JACK NELLIGAN	DOCUMENT TITLE: <b>400 AMP</b> <b>CLASS I, DIVISION 1</b> <b>INTERLOCKED SYSTEM</b>	 <b>Vantage Technology</b> LLC 4675 South Windermere Street Englewood, Colorado USA 80110 Phone: 303-761-2121 ~ Fax: 303-789-4215 Email: service@vantagexp.com ~ Website: www.vantagexp.com	SHEET: 4 OF 4
	CHK BY: DARRIN J. LOMBARD			
	ENG BY: LARRY JONES			
	ATEX: JOHN NORDECK			
	RELEASE DATE: 07/19/05			
<b>APPLICATION DATA SHEET</b>		DOCUMENT NUMBER: <b>ADS-V-70474</b>		