

REV: A	WTN BY: JACK NELLIGAN
	CHK BY: DARRIN J. LOMBARD
	ENG BY: LARRY JONES
	ATEX: JOHN NORDECK
	RELEASE DATE: 12/16/05

DOCUMENT TITLE:  
**200 AMP  
CLASS I, DIVISION 2  
INTERLOCKED ENCLOSURE**

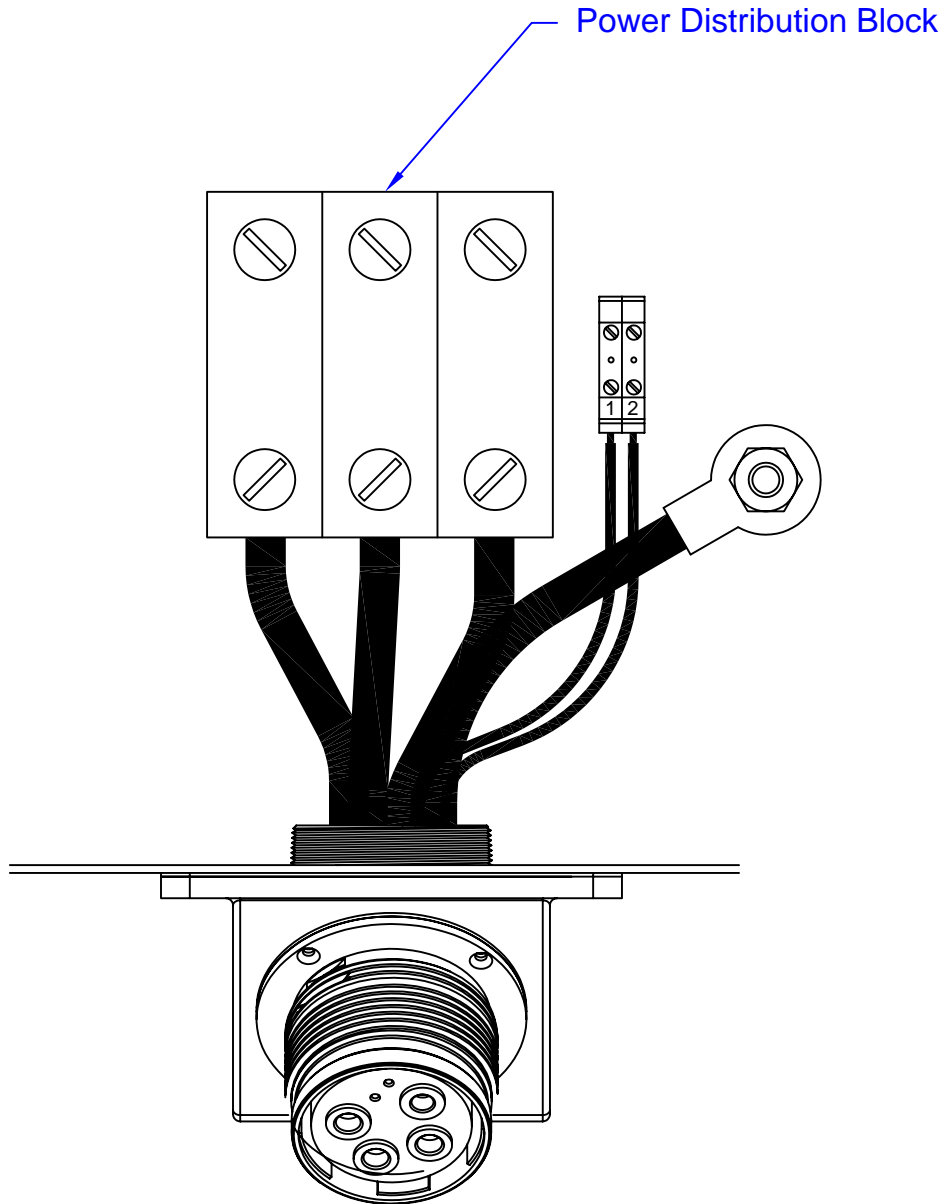
**APPLICATION DATA SHEET**



**Vantage Technology LLC**  
4675 South Windermere Street  
Englewood, Colorado USA 80110  
Phone: 303-761-2121 ~ Fax: 303-789-4215  
Email: service@vantagexp.com ~ Website: www.vantagexp.com

DOCUMENT NUMBER: **ADS-V-70017**

SHEET: 1 OF 2



**GD-28-42SL Insert - 5 Pole 6 Wire**


Consists of:

#4/0 (120 mm<sup>2</sup>) Line Contacts x3

#4/0 (120 mm<sup>2</sup>) Ground Contact x1  
Longer to Make First and Break Last

#10 AWG (6 mm<sup>2</sup>) Relay Contacts x2  
Shorter to Make Last and Break First

See Product Data Sheet:  
**PDS-GB-GD-INSERTS** for Technical  
Information and Pictoral View of Insert.

REV: A	WTN BY: JACK NELLIGAN	DOCUMENT TITLE: <b>200 AMP          CLASS I, DIVISION 2          INTERLOCKED ENCLOSURE</b>	 <b>Vantage Technology</b> LLC 4675 South Windermere Street Englewood, Colorado USA 80110 Phone: 303-761-2121 ~ Fax: 303-789-4215 Email: service@vantagexp.com ~ Website: www.vantagexp.com	SHEET: 2 OF 2
	CHK BY: DARRIN J. LOMBARD			
	ENG BY: LARRY JONES			
	ATEX: JOHN NORDECK			
	RELEASE DATE: 12/16/05			
<b>APPLICATION DATA SHEET</b>		DOCUMENT NUMBER: <b>ADS-V-70017</b>		