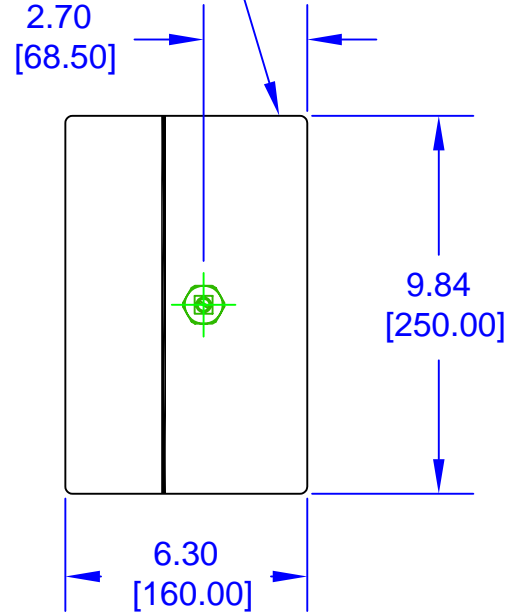
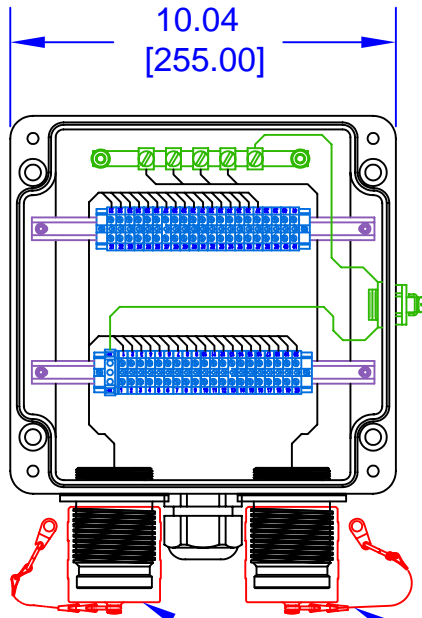
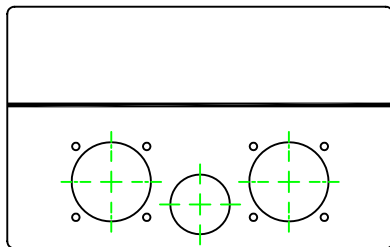


EEx e Halogen Free Glass Fiber Reinforced Polyester Enclosure with (41) Terminal Blocks Plus (1) Ground Terminal, Isolated Earth Rail, M40 Nylon Cable Gland, (1) External Earth Stud - Wired to Both Internal Ground Points



Earth Ground Panel Mount Receptacle GD-B1716-23SL-L36 with Environmental Cover. See Product Data Sheet PDS-GD-GB-EMR for Division and Zone Certifications.



ESD (Emergency Shut Down) Panel Mount Receptacle AF-B1716-621SK-L36 with Environmental Cover. See Product Data Sheet PDS-AF-SF-EMR for Division and Zone Certifications.

REV: 3

WTN BY: DARRIN J. LOMBARD
CHK BY: JACK NELLIGAN
ENG BY: DARRIN J. LOMBARD
ATEX: JOHN NORDECK
RELEASE DATE: 10/14/05

DOCUMENT TITLE:  
**ELECTRIC ESD & EARTH GROUND  
DUPLEX RECEPTACLE ASSEMBLY**

**APPLICATION DATA SHEET**

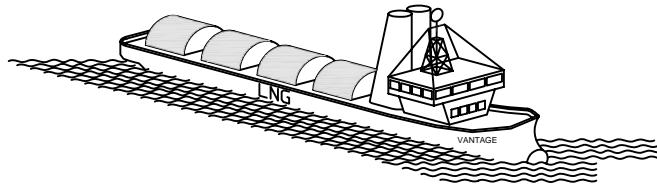


**Vantage Technology** LLC

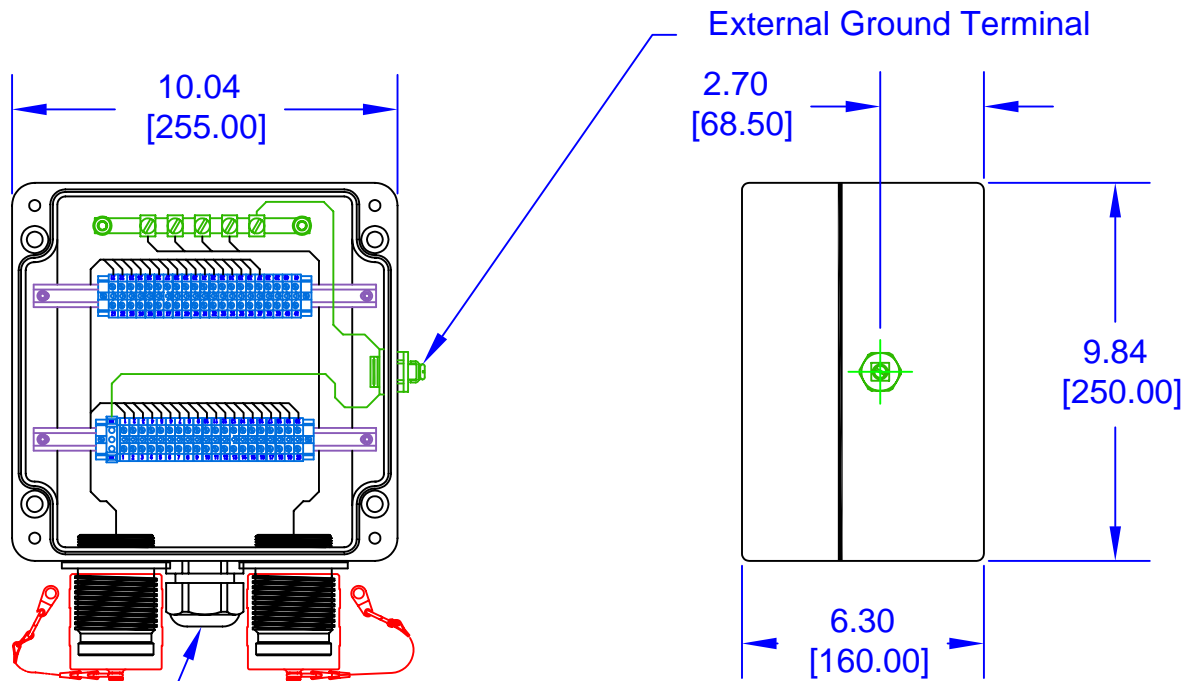
4675 South Windermere Street  
Englewood, Colorado USA 80110  
Phone: 303-761-2121 ~ Fax: 303-789-4215  
Email: service@vantagexp.com ~ Website: www.vantagexp.com

DOCUMENT NUMBER: **ADS-EMR-40002**


SHEET: 1 OF 2



Complete Assembly is ATEX II 2G EEx ed IIC T6 IP 66 Certified.



- Contact Vantage for Available Variations -

REV: 3	WTN BY: DARRIN J. LOMBARD	DOCUMENT TITLE:	 <b>Vantage Technology</b> LLC 4675 South Windermere Street Englewood, Colorado USA 80110 Phone: 303-761-2121 ~ Fax: 303-789-4215 Email: service@vantagexp.com ~ Website: www.vantagexp.com	SHEET: 2 OF 2
	CHK BY: JACK NELLIGAN	<b>ELECTRIC ESD &amp; EARTH GROUND</b>		
	ENG BY: DARRIN J. LOMBARD	<b>DUPLEX RECEPTACLE ASSEMBLY</b>		
	ATEX: JOHN NORDECK			
	RELEASE DATE: 10/14/05	<b>APPLICATION DATA SHEET</b>		